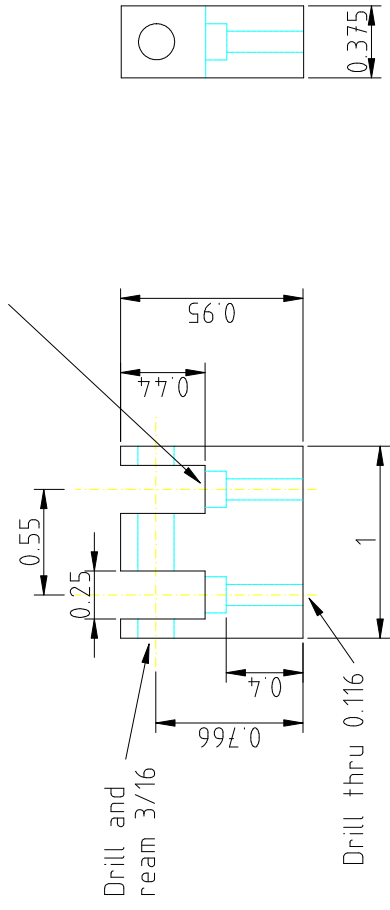
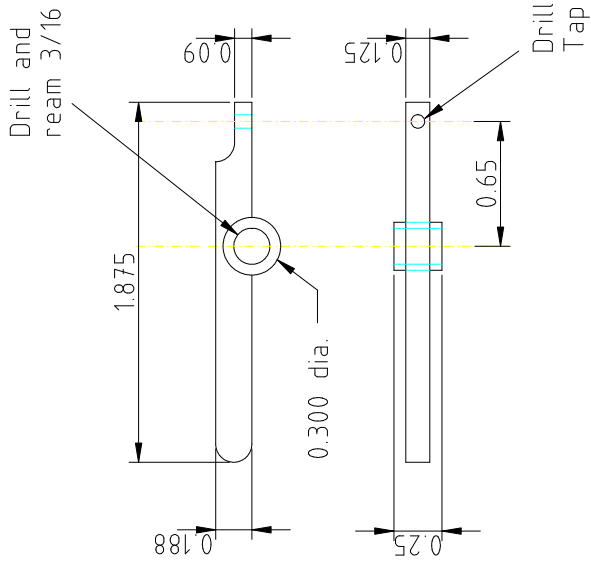


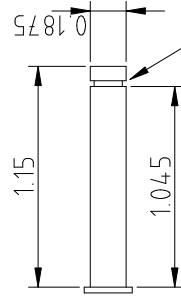
Drill 0.188 to countersink head of 4-40 SHCS



Rocker Stand



Rocker Arms



Rocker Pivot Pin

All dimensions are inches unless specified.

Date : 18-Jan-2010

Project: BECO 2.0

Drawn by: Glen Bond

Drawing: Rocker Arms